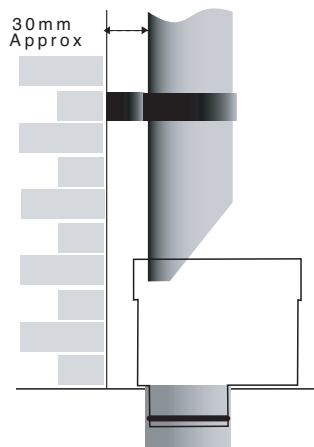
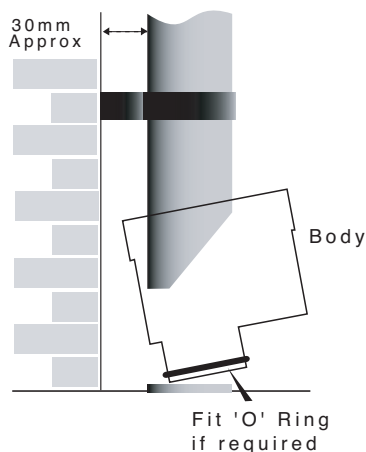
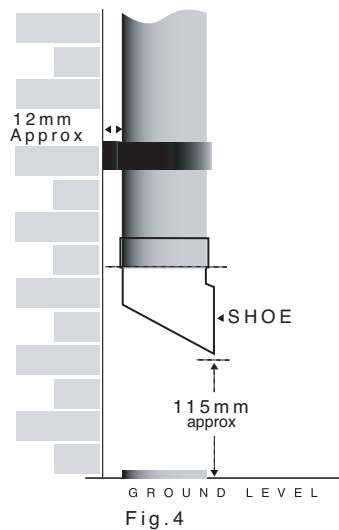
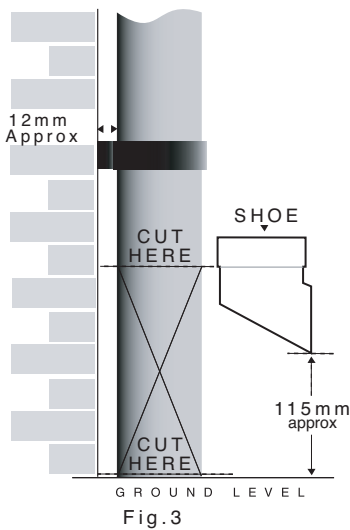
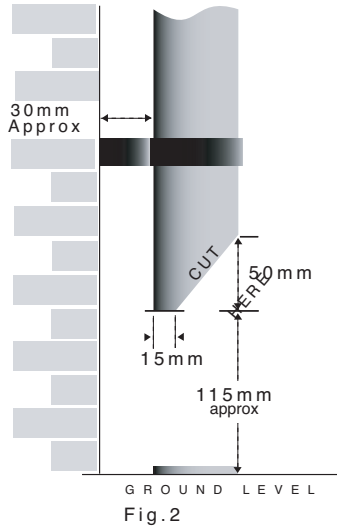
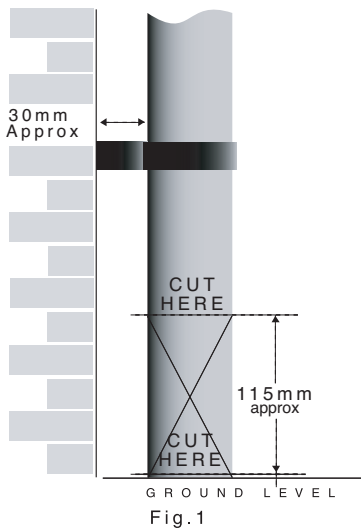
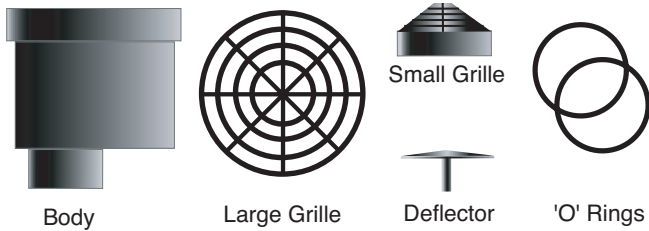


DRAINSMART™

Components:



PLEASE READ THESE INSTRUCTIONS CAREFULLY AND CHECK THE IMPORTANT NOTES BELOW BEFORE INSTALLATION

DRAINSMART™ is a unique removable above ground gully, designed to collect silt and debris from gutters at ground level, preventing soakaways and underground systems from becoming blocked. This simple but effective product is easy to fit, and even easier to remove and clean. It features an outlet at the bottom that will fit into most domestic systems, even cast iron. The outlet is set off-centre so you can easily adjust the unit for best position, i.e. with the majority of the unit in front of the downpipe. Inside the body, is a silt trap, which is covered by a small grille. This stops the debris from flowing into the underground system.

INSTRUCTIONS FOR RETRO-FIT AND REFURBISHMENT APPLICATIONS

DRAINSMART™ is suitable as an addition to your existing guttering system, or for refurbishment and new building projects. For best results we recommend not using mesh balloons or other devices at the top of the downpipes, so as to allow silt and other debris to fall to ground level where it will be collected by DRAINSMART™

For downpipes fitted with brackets that stand off the wall (by approximately 30mm), fit in the following manner. Ensuring the brackets are secure, cut through the downpipe at ground level. The second cut is to be made approximately 115mm above the first, cut and remove section. See Figure 1. The third cut needs to be at an angle to allow free flow of water and debris into the unit. See Fig.2. This should ensure when the unit is fitted, that the bottom of the downpipe is approximately 15mm below the top of the unit when installed.

If your downpipe is fitted close to the wall (with approximately a 12mm gap) you will normally need to fit a downpipe shoe which can be obtained from a local stockist. This is to ensure all the debris and water enters into the body of DRAINSMART™ correctly.

To fit shoe, place the shoe next to the downpipe with the bottom 115mm above ground level, mark downpipe as in Figure 3, cut and remove section, ensuring brackets are secure. Fit shoe as in Figure 4. If you have difficulty in inserting and removing the large grille, you may need to raise the shoe slightly as they vary in design.

DRAINSMART™ will fit directly into most cast iron pipes and loosely into all other types, even square section. Should you require a more snug fit, place one of the "O" rings supplied onto the outlet pipe of DRAINSMART™ before installing.

To fit DRAINSMART™ guide the main body section behind the downpipe, see figure 5, placing the outlet pipe into the pipe in the ground. Then fit the small grille onto the top of the outlet pipe inside the body, and insert the deflector. Lastly, place large grille on top.

NEW BUILDINGS

If your 4" underground PVC pipe is visible and you are connecting directly to this, (e.g. new build) the pipe will need to be cut flush with the finished ground level, and then fitted with the appropriate converter for rainwater to underground systems.

GENERAL MAINTENANCE

Periodically you will need to check the level of debris collected in your DRAINSMART™ and remove it to clean it out as necessary. To lift out DRAINSMART™, remove top grille and deflector cap, remove the body, clean and replace.

IMPORTANT NOTES

This product is designed to be used with PVC rainwater systems only. They must not be connected directly to any household waste water systems. If your downpipe is not made of PVC, DRAINSMART™ can usually still be fitted but you may require some professional assistance. If you require any further information or advice contact our technical department:

Technical: 023 8026 9091
 Pat. Pending GB 9917768.5
 E-mail: info@drainsmart.co.uk
 Website: www.drainsmart.co.uk